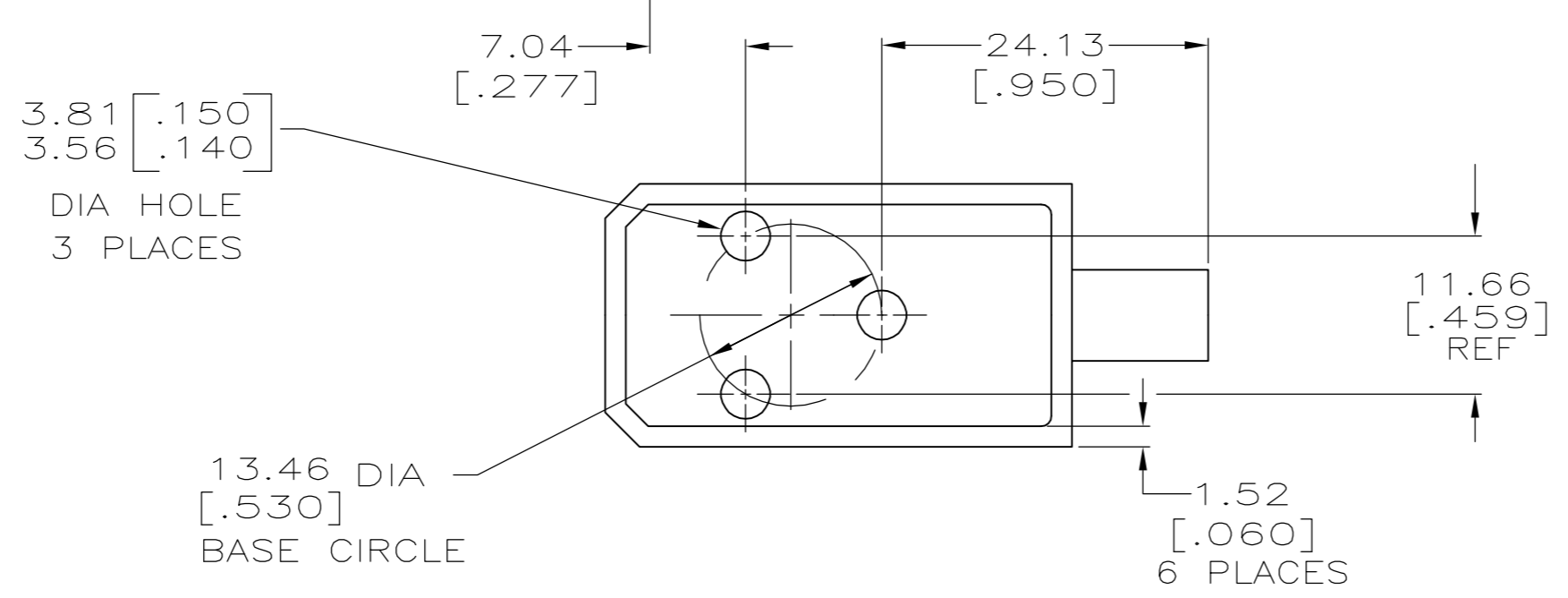
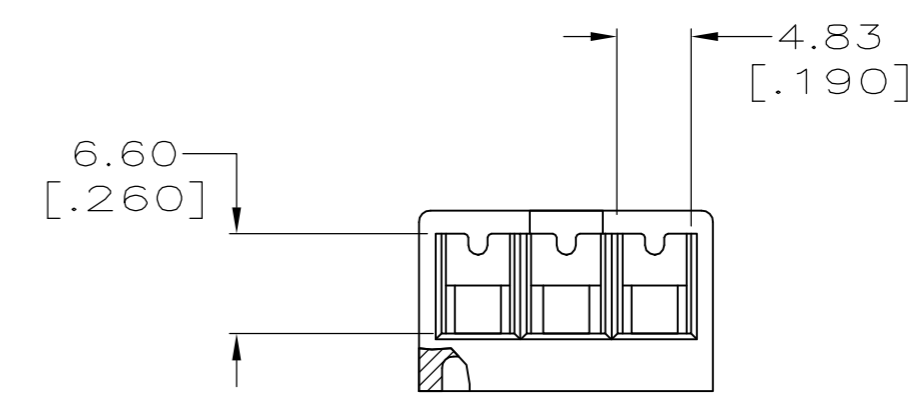
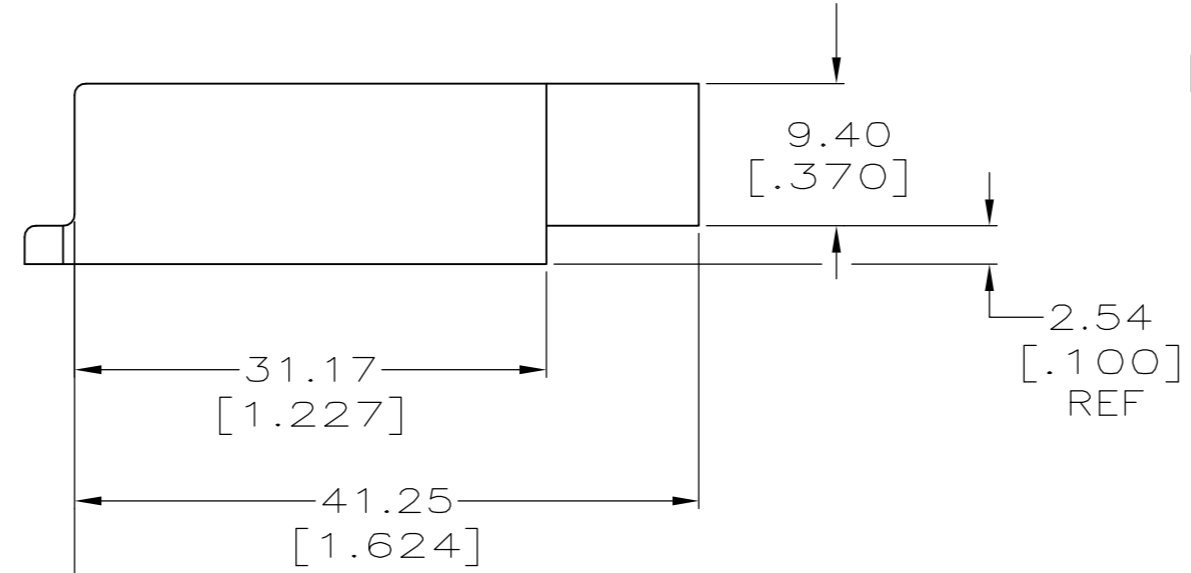
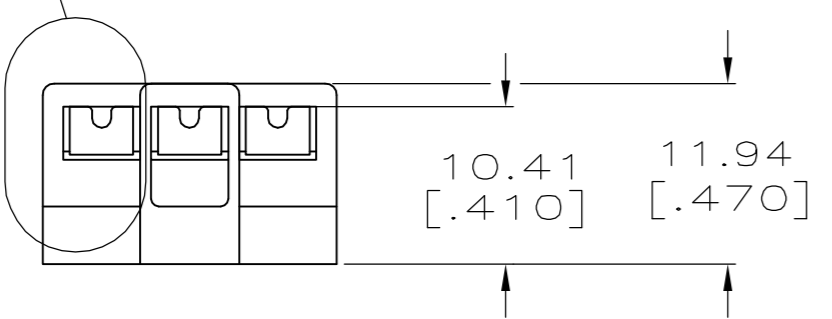
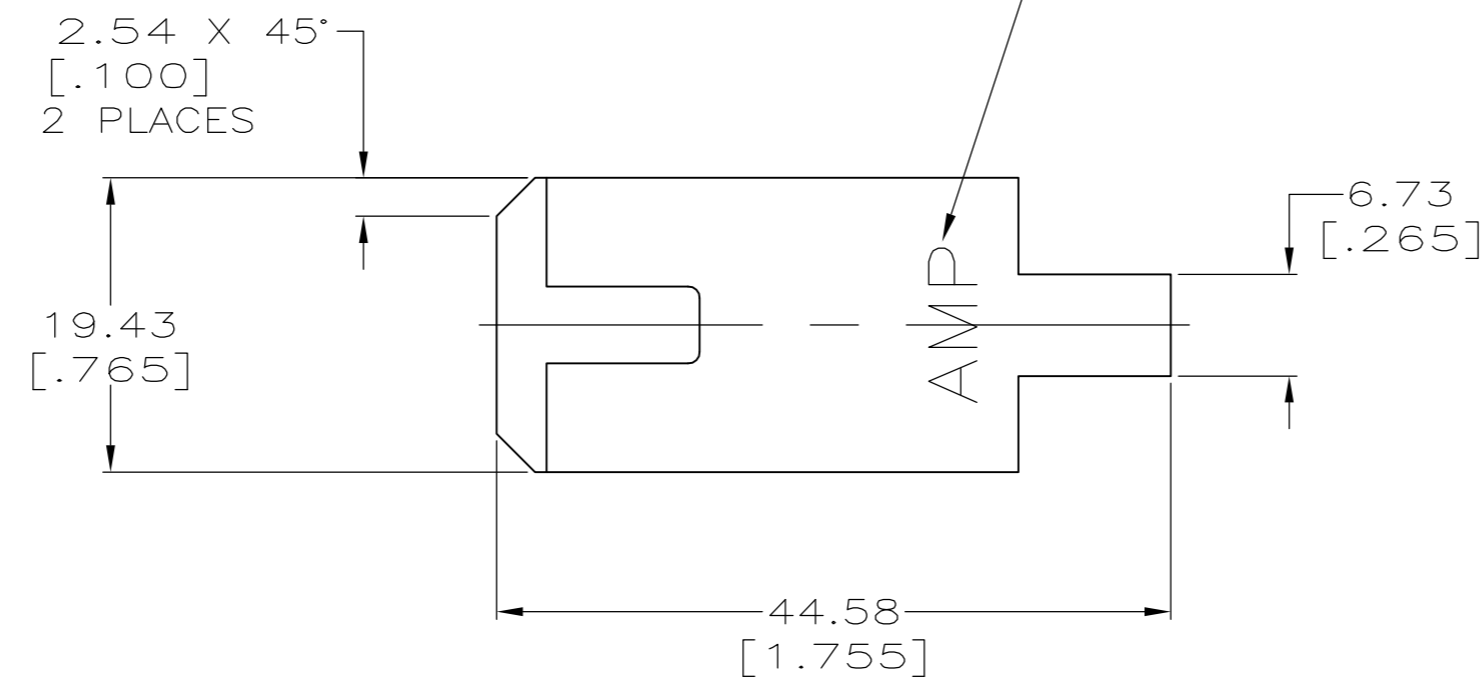
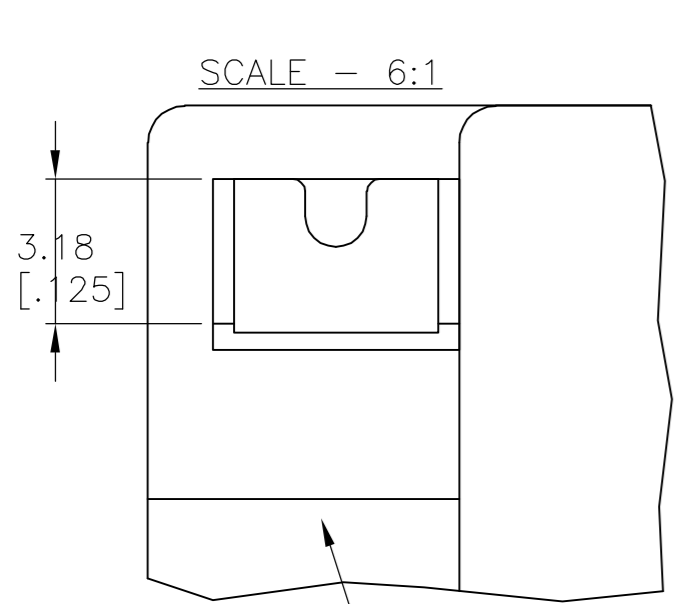


THIS DRAWING IS UNPUBLISHED. RELEASED FOR PUBLICATION
 © COPYRIGHT BY TYCO ELECTRONICS CORPORATION. ALL RIGHTS RESERVED.

LOC	DIST	REVISIONS			
P	LTR	DESCRIPTION	DATE	DWN	APVD
AF	50	K1	REVISED PER ECR-06-016692	11JUL06	HMR GP

- 1 HOUSING ACCEPTS 3.18[.125] DIA CLUSTER PIN RECEPTACLES 62243-3, 62244-3, 63453-1, 63454-1 AND 63455-1.
- 2 AMP OR TYCO LOGO LOCATED ON TOP OR BOTTOM SURFACE OF HOUSING.



360051-1
PART NUMBER

THIS DRAWING IS A CONTROLLED DOCUMENT.		DWN	SCOTT URICH	28JUL98	 Tyco Electronics Corporation Harrisburg, PA 17105-3608
DIMENSIONS: mm [INCHES]		CHK	MICHAEL S. FEHER	03AUG98	
TOLERANCES UNLESS OTHERWISE SPECIFIED:		APVD	DENNY SCHWENK	17AUG98	
0 PLC ± - 1 PLC ± - 2 PLC ± 0.25 [.010] 3 PLC ± - 4 PLC ± - ANGLES ± - FINISH -		PRODUCT SPEC	NAME		
MATERIAL VALOX 310 OR EQUIVALENT		APPLICATION SPEC	NAME		RESTRICTED TO
CUSTOMER DRAWING		WEIGHT	A2 00779 C=360051		SCALE 2:1 SHEET 1 OF 1 REV K1